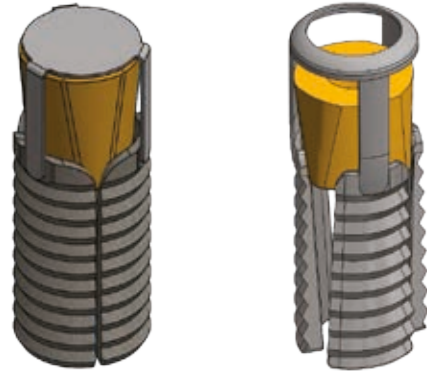


## Mechanical Expansion Shells

The primary use of the expansion shells is to mechanically point anchor roof bolts and cable bolts. Expansion shells are excellent for immediate support where grout and resin installations are difficult. Post grouting after installation is possible.

The expansion shell has a leaf locking system to allow pre-tensioning on the chosen support. The expansion shell comes in various diameters. Spring loaded systems are also available.

Various internal thread sizes and types are available upon request.



## Mechanical Anchor Cable Bolt



## Mechanical Anchor Roof Bolt



Expansion Shell Type	Min. Hole Size	Max. Hole Size	Max. Thread Size
[H]	[mm]	[mm]	[mm]
ESB32	32.5	38	Rd 20
ESB35	35.5	41	Rd 22
ESB38	38.5	44	Rd 24
ESB43	43.5	49	Rd 26

## Notes

- Minimum order quantities may apply to this product
- Only ROCBOLT™ Technologies South Africa components should be used to enable the full performance of the bolt system to be obtained