

Double Corrosion Protection (DCP) Bolts provide support in the most aggressive geological environments. This anchor type rock bolt technology is ideal for complex engineering structures and unstable ground conditions where groundwater is predominant.

The tapered DCP Bolt is enclosed by a polyethylene sheath that allows for easy installation, instant ground support and safe advancement by construction teams with a quick and stress-free patented grouting system.

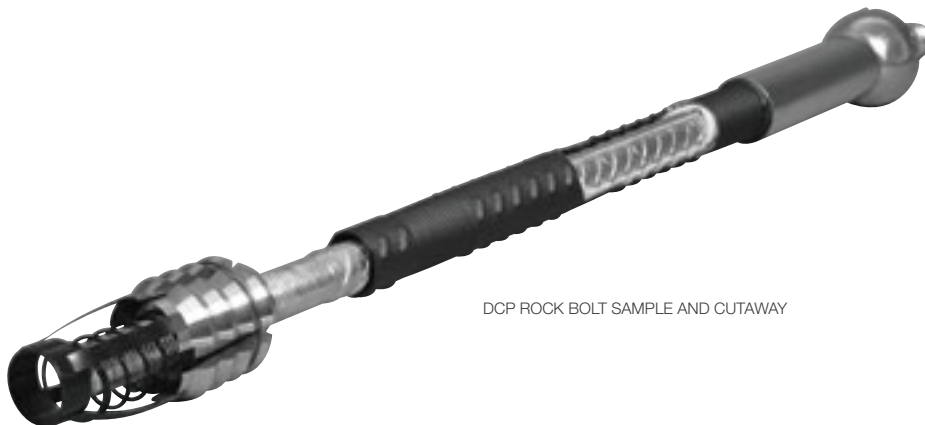
Features

- DCP Bolt is an expansion shell bolt with HDPE sheathing providing corrosion protection over the bolt length.
- Pre-tensioned with expansion shell.
- Provides immediate roof support.
- Efficient anchorage with grout bell and spherical nut combination.
- Grout adaptor provides efficient post grouting.
- Durable HDPE sheathing allows for inner and outer annuluses to be grouted in single pass.
- Grout bell available in black steel or HDG steel for ultimate corrosion protection.
- Pull tested with standard equipment.
- Available in 20, 25, and 32[mm] diameter bars.



Applications

- Systematic permanent reinforcement of underground excavations.
- Ground support for areas with limited or no access during operational lifetime.
- Mining: permanent roadways and excavations.



DCP ROCK BOLT SAMPLE AND CUTAWAY

Technical Data

Bolt Size [mm]	20	25	32
Tensile Load [kN]	219	343	498.3
Yield Strength [MPa]	500	500	450
Elongation [%]	22	22	14
Ultimate Tensile Strength [MPa]	700	700	620 (Typical)
*Calculated Shear Strength [kN]	131.88	206	299
Hole Size [mm]	48 - 55	48 - 55	64 - 72
Density [kg/m]	2.52	3.86	6.32
Cross Sectional Area of Bar [mm]	314	490	804
Thread (Left or Right Hand)	DIN 405	DIN 405/M27	M32

*Calculated at 60[%] of Ultimate Tensile Load

Notes

- Minimum order quantities may apply to this product
- Only ROCBOLT™ Technologies South Africa components should be used to enable the full performance of the bolt system to be obtained

DCP ROCK BOLT DIAGRAM – SAMPLE LENGTH OF THE DCP ROCK BOLT

